

Easyweigh H900/V900



EASYWEIGH vertical and horizontal windlasses are suitable for boats from 6 – 11m (20–37ft).

The housing is made of highly polished 316 Stainless steel. The powerful and compact windlasses have been designed for vessels with limited space under the deck.

Easy to install and works with chain only or rope and chain combination.

Model	Horizontal 900W	Vertical 900W
VESSEL LENGTH	6–11m 20–37ft	6–11m 20–37ft
POWER SUPPLY (DC)	12V	12V
MOTOR (Watts)	900	900
MAX LOAD	350kg 772lb	220kg 485lb
WORK LOAD	180kg 396lb	80kg 176lb
AMPS WORK LOAD (DC)	100	80
MAX LINE SPEED	23m/min 75ft/min	23m/min 75ft/min
CHAIN SIZE	6 mm (1/4")	6 mm (1/4")
Short link	8mm (5/16")	8mm (5/16")
ROPE SIZE (3PLY)	12 mm (1/2") 14mm (9/16")	12 mm (1/2")
NET WEIGHT	13kg 28lb	9kg 20lb

Features

- Compact anchoring system to suit boats from 6m to 11m
- 316 Stainless Steel components
- Includes reversing solenoid, 100 amp circuit breaker and Helm Station up/down rocker switch
- Installation instructions included with full electrical wiring diagram and backed by Muir's 3 year limited warranty
- Simple installation
- Deck mounting studs & fasteners



V900

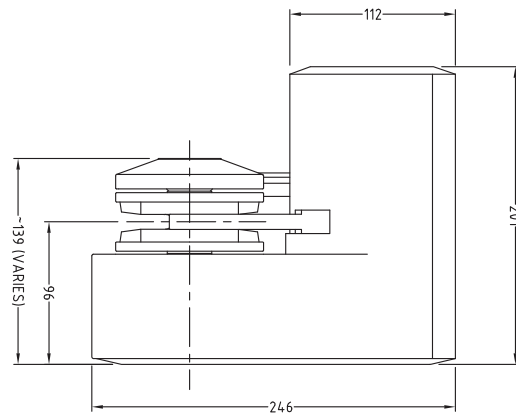
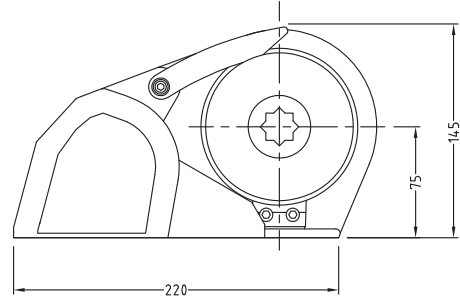


H900



**EASY
WEIGH**

H900



V900

